

LP-432 Series Premix Table

Features

- Heavy gauge stainless steel table
- Top bin capacity of 2.24 cubic feet (78 pounds of flour)
- Plastic lid for filling top bin with transparent hinged door
- Electronic scale with moving platform
- Plastic scale scoop and hand scoop
- Adjustable legs
- Electrical outlet 110V

Model

- LP-432-6
- LP-432-8
- LP-432-10

* See specifications and details on back

Option

- Rubbermaid bin on wheels with sliding transparent lid and capacity of 2.75 cubic feet (100 pounds of flour)

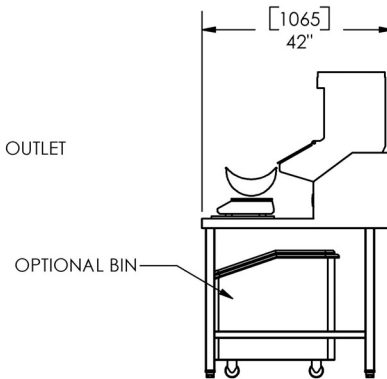
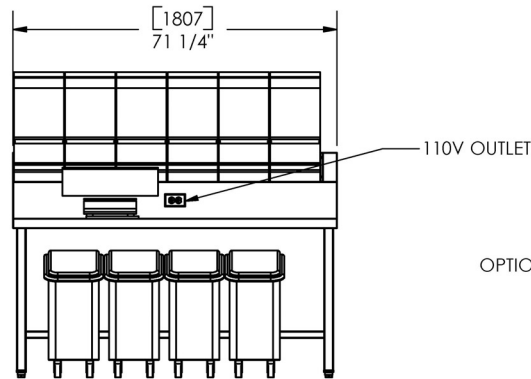
Installation

This equipment is delivered fully assembled and ready to use.

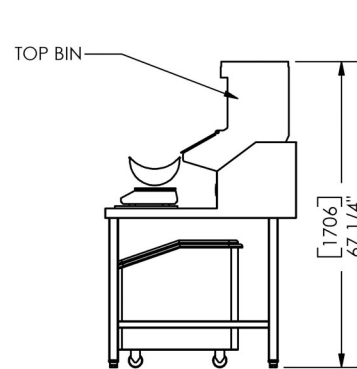
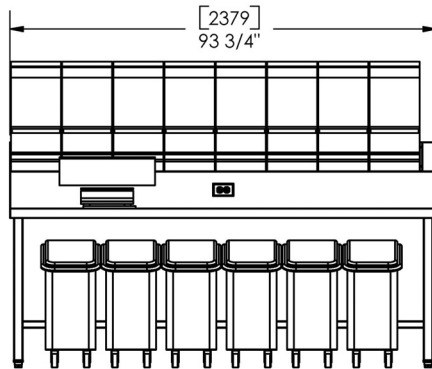


LP-432 Series Premix Table

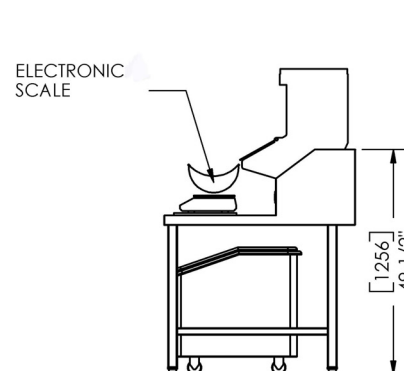
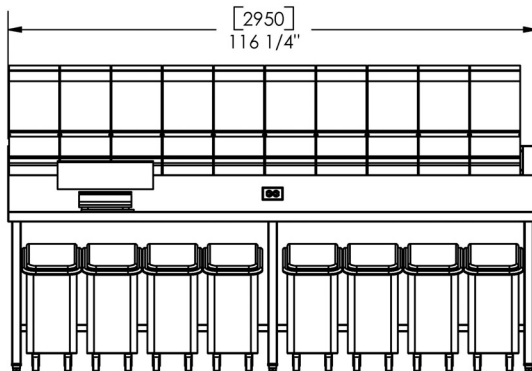
LP-432-6



LP-432-8



LP-432-10



Bin Capacity

Model	# Top Bin	# Optional Bin	Top Bin Capacity	Optional Bin Capacity	Total Top Bin Capacity	Total Optional Bin Capacity
LP-432-6	6	4	2.24 cu. ft.	2.75 cu. ft.	13.44 cu. ft.	11 cu. ft.
LP-432-8	8	6			17.92 cu. ft.	16.5 cu. ft.
LP-432-10	10	8			22.4 cu. ft.	22 cu. ft.

1 cubic feet = 35 pounds of flour

Scale Information

Model	Unit	Supply	Battery	Range
KiloTech (KWS301)	lb - kg	110V	6 VDC	0.04 to 66 lbs (± 0.002 lbs) 20 g to 30 Kg (± 1 g)

* Continuous product development is a policy at Picard. Therefore, we reserve the right to change specifications and/or design without prior notice.

