

# BOWL LIFT

Models | LP-280 | LP-280B

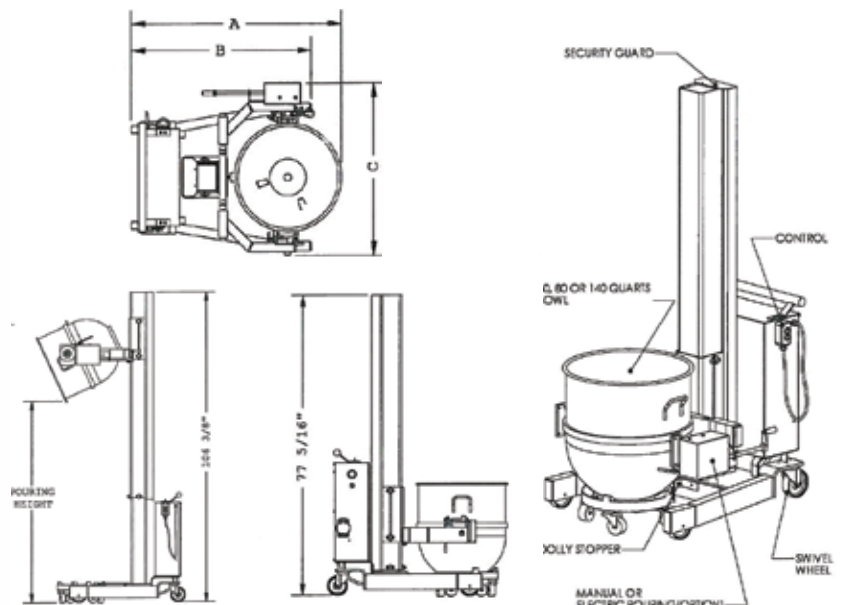
## WHY SHOULD YOU USE THE BOWL LIFT ?

THE PICARD BOWL LIFT FOR HOBART BOWLS WILL MAKE ALL YOUR OPERATIONS EASY!

Thanks to its unique and safe design. One person can move, raise and tilt a full 60, 80 or 140 quart bowl without effort. The Picard bowl lift doesn't need a ring around the bowl and can be moved from one room to another through a regular doorframe (34" x 80"). Do not risk injuries by handling heavy loads and think about Picard's bowl lift!

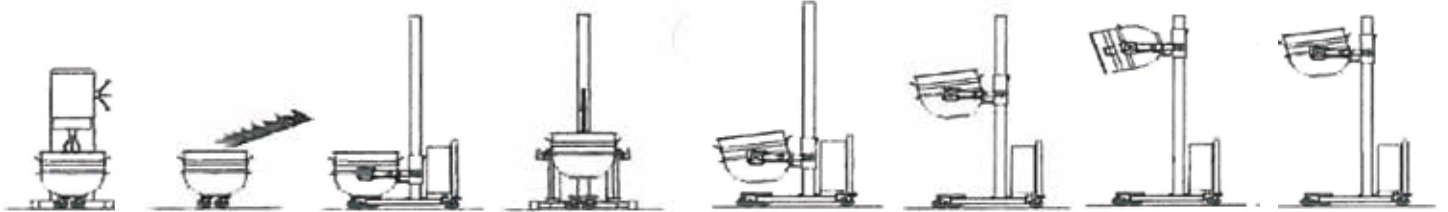


### MACHINE DIMENSIONS



# BOWL LIFT

Models | LP-280 | LP-280B



1. Mixer Bowl
2. To the Bowl lift
3. Positioning
4. Lift Bowl 8" from floor and lock it using the two safety hooks seen on each side of the bowl holder (first safety device)
5. Slightly tilt the bowl in order to lock it (second safety device)
6. Lift the bowl to desired height
7. Incline the bowl to the required angle
8. Keep the bowl tilted when lowering so the second safety device remains locked

## BASIC FEATURES

- Stainless steel and aluminum construction (Rust Free)
- Used for (standard of Legacy) Hobart bowls of 60, 80 & 140 quarts
- Telescoping post from 78" to 107" height
- Two safety devices: safety snap hooks and locking mechanism on the tilting device
- On swivel wheels with locking mechanism
- 400 pounds load capacity
- Can pour up to 76 inches
- Safe hydraulic power system
- Mobile, hand-held control box

### IF MOBILITY IS ESSENTIAL

- Rechargeable 12-volt battery
- Long lasting: it can lift 50 to 60 times before reloading
- Built-in battery charger
- Charge indicator lets you know when to recharge (model LP-280-B)

### IF MOBILITY IS NOT ESSENTIAL

- Model without battery using direct 110-volt power 5 amperes (model LP-280)
- Load capacity: 400 pounds
- Maximum dumping height: 76" (60-quart bowl) 74" (80-quart bowl) and 72" (140-quart bowl)
- Will fit 60, 80 and 140-quart Hobart bowls
- Simple manual adjustment to change bowl size
- A person alone can use the lift
- Mounted on solid 5-inch wheels

Model	A	B	C
All models	52 15/16"	46 1/4"	40 15/16"

Model	Cordless	Electrical specifications	Battery
LP-280	No	120V / 1PH / 60HZ / 16A	N/A
	No	220V / 1PH / 60HZ / 8A	
LP-280B	Yes	120V / 1PH / 60HZ / 2A	12V sealing battery
	Yes	220V / 1PH / 60HZ / 16A	12V sealing battery

Model	Width	Depth	Height	Weight
All models	40"	48"	85"	500 lbs (227kg)

Model	Quarts	Pouring Height	Load capacity
HL600	60	76"	400 lbs (180kg) max. N/A
HL800	80	74"	
HL1400	140	72"	

## OPTIONAL FEATURES

- Electrical tilting device
- \*Bowl and Bowl dolly are not included

## INSTALLATION

This equipment is shipped fully assembled in one piece and ready to be operated. It can easily pass through a standard door 36" x 80".